



H3 & H5 Series

Hot Water Dispensers with Universal Component Mounting Bracket

Element[®] and Portion Control Systems



For models produced prior to the universal component mounting bracket, please refer to H5 Illustrated Parts Catalog 10786.0001.

ILLUSTRATED PARTS CATALOG

Designs, materials, weights, specifications, and dimensions for equipment or replacement parts are subject to change without notice.

Bunn-O-Matic Corporation

Post Office Box 3227, Springfield, Illinois 62708-3227

Phone (217) 529-6601 | Fax (217) 529-6644

BUNN-O-MATIC COMMERCIAL PRODUCT WARRANTY

Warranty statements and information can be found on our website. Please visit <https://commercial.bunn.com/support/warranty-lookup> for further details.

TABLE OF CONTENTS

EXTERIOR COMPONENTS	4
TANK HEATER & SAFETY DEVICES.....	10
TANK, INLET & DISPENSE - H5	12
TANK, INLET & DISPENSE - H3E	16
TANK, INLET & DISPENSE - H3X.....	18
ELECTRICAL COMPONENTS.....	22
WALL BRACKETS, DRIP TRAY & WIRE SHELF.....	28

TIPS: _____



To **Search/Find** content in this document, use "**Ctrl+F**" (PC)



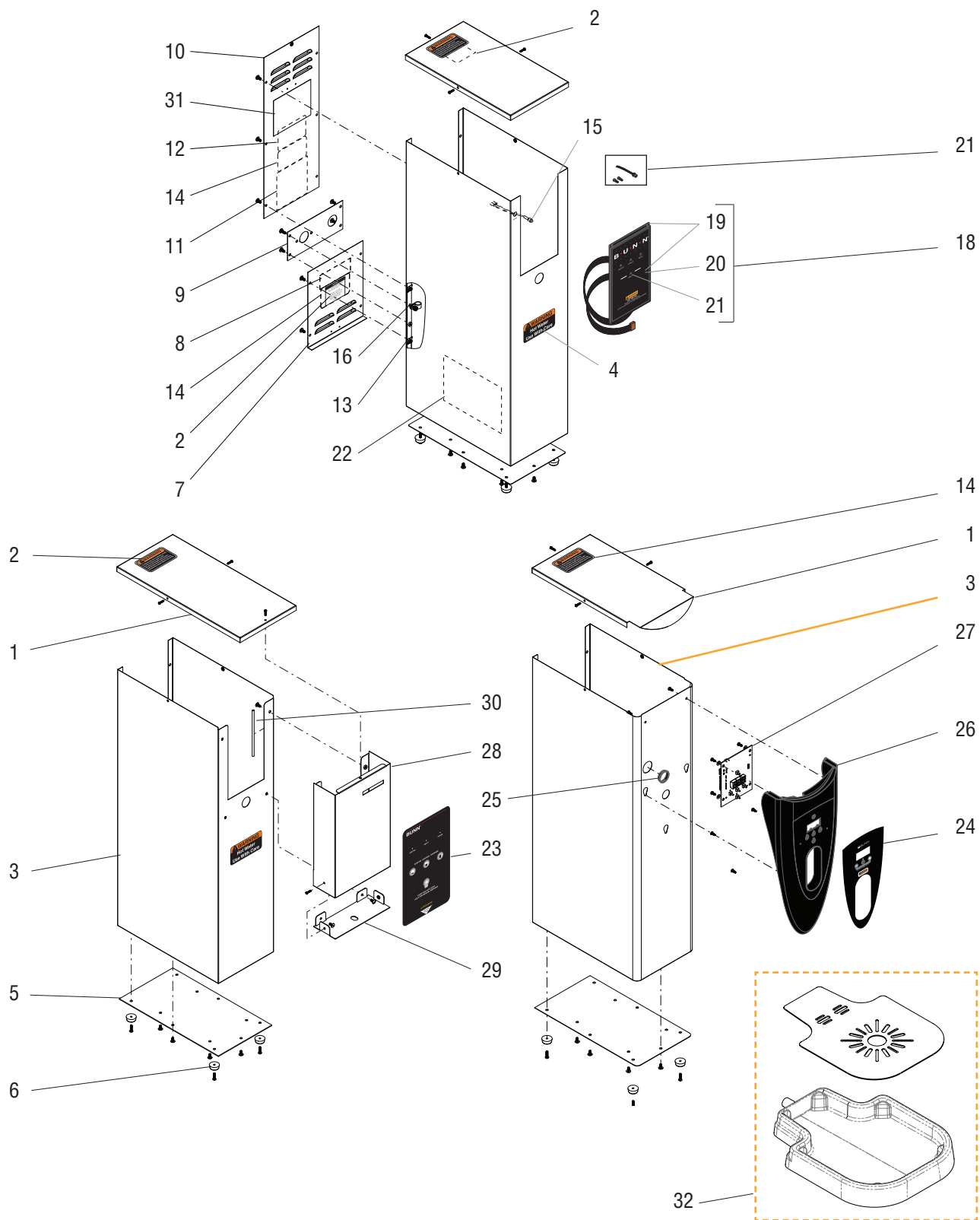
To **Search/Find** content in this document, use "**Command+F**" (Mac)

CHANGE PENDING



EXTERIOR COMPONENTS

H3 & H5
PC / Element®



P4310.25

CHANGE PENDING

EXTERIOR COMPONENTS DESCRIPTION

ITEM	PART NO.	QTY.	DESCRIPTION
1	27353.0000	1	Cover W/Decal (Includes item 14) (Does <u>Not</u> Include item 2) H5X [®] /E/M
	12505.1009	1	Cover (PC)
	12505.1004	1	Cover W/Decal SST (Includes # 14) ELEMENT [®]
	12505.1005	1	Cover W/Decal Red (Includes # 14) ELEMENT
	12505.1006	1	Cover W/Decal Copper (Includes # 14) ELEMENT
	12505.1007	1	Cover W/Decal Black (Includes # 14) ELEMENT
	12505.1008	1	Cover W/Decal White (Includes # 14) ELEMENT
			1
	01303.0000	3	Screw, Pan Head #4 - 40 X .50"
2		2	Decal - Notice 200-240V Components (Used on 208 & 240V only) NOT AVAILABLE
3		1	Housing Wldmt, Sst (No Switch) H5e, Element [®]
		1	Housing Wldmt, Red Element
		1	Housing Wldmt, Copper Element
		1	Housing Wldmt, Black Element
		1	Housing Wldmt, White Element
		1	Housing Wldmt, Sst No Switch H5e/X/Ma (Ce)
		1	Housing Wldmt, Sst W/Switch H5e/X/M
		1	Housing Wldmt, Sst W/Switch H5e/X/M
		1	Housing Wldmt, Sst Front Switch H5e/X/M
		1	Housing Wldmt, Sst (0027 & Shld) H5e/X/M
		1	Housing Wldmt, Sst (0024 & Shld)H5e/X/Ma (Ce)
		1	Housing Wldmt, Sst H5-PC 200V
		12503.1005	1
	12503.0032	1	Housing Wldmt, Sst H5 Element w/Rocker Switch
	12503.1036	1	Kit, Housing Wldmt H5E/X Element-Black
		1	Housing Wldmt, Sst H3 Element w/Toggle Switch NOT AVAILABLE
4	12593.0000	1	Decal, Warning Very Hot Water (Not used on 72° & 100° F Dispensers)
5	12509.0000	1	Plate, Bottom All but ELEMENT
	12509.0002	1	Plate, Bottom H5 ELEMENT ONLY
	12509.0003	1	Plate, Bottom H3E ELEMENT ONLY
	12509.0004	1	Plate, Bottom H3X ELEMENT ONLY
	01315.0000	7	Screw, Truss Head #8 - 32 X .38"
6	00731.0000	4	Foot, Rubber
	01390.0000	4	Screw, Round Head #8 - 32 X .62"
7	23534.0000	1	Panel W/Decal, Rear - Lower SST (Includes items 8 & 14)) H5E/X/M/PC
	12506.1002	1	Panel W/Decal, Rear - Lower Red (Includes items 8 & 14) ELEMENT
	12506.1003	1	Panel W/Decal, Rear - Lower Copper (Includes items 8 & 14) ELEMENT
	12506.1004	1	Panel W/Decal, Rear - Lower Black (Includes items 8 & 14) ELEMENT
	12506.1005	1	Panel W/Decal, Rear - Lower White (Includes items 8 & 14) ELEMENT
		1	Panel, Rear - Lower SST H3 Element NOT AVAILABLE
	01311.0000	4	Screw, Truss Head #8 - 32 X .25"
8	00656.0001	1	Decal, Comply To Plumbing Code

NOT AVAILABLE

(Continued)

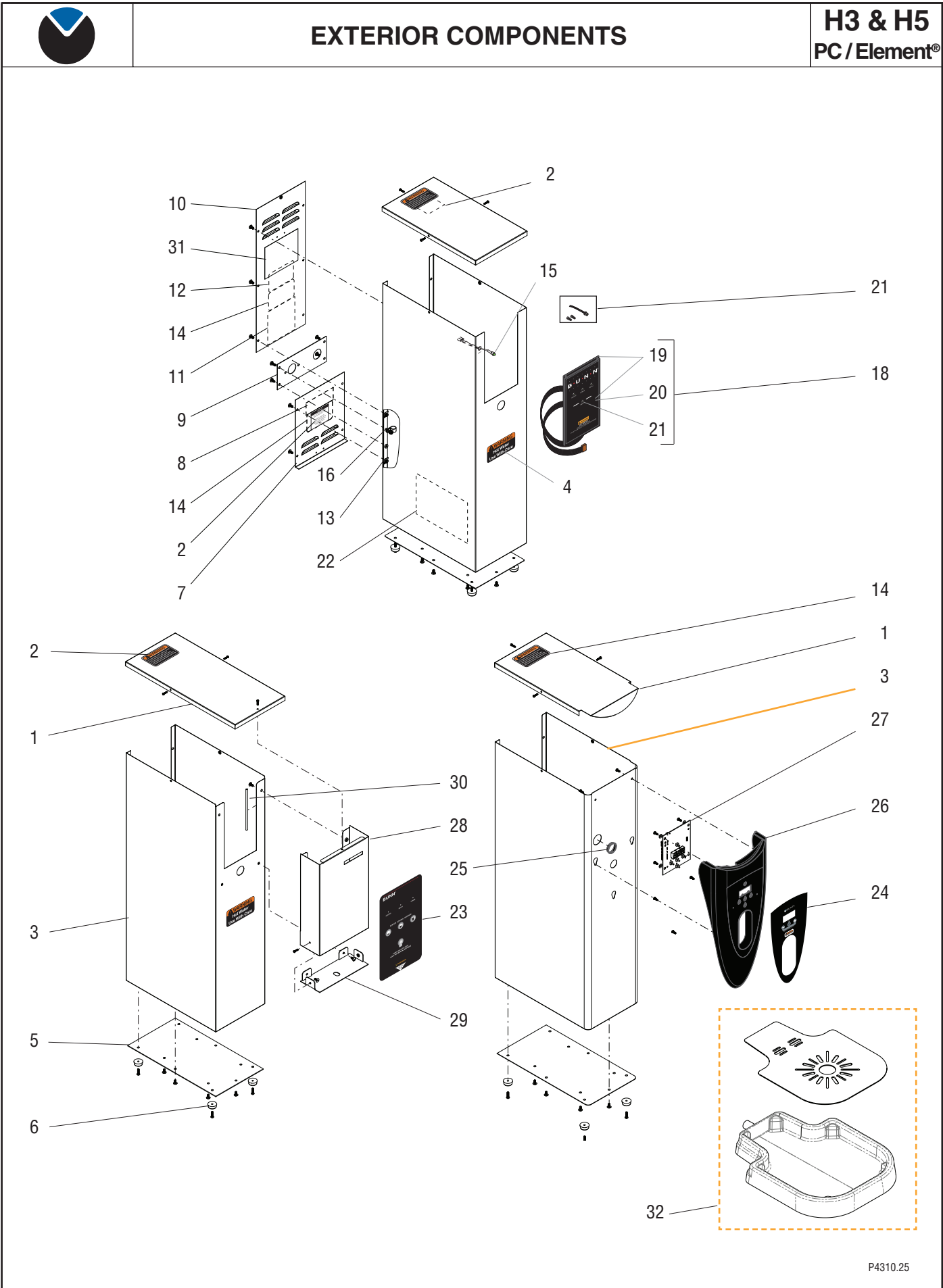
* Indicates the part number listed is for reference only. ⁵ See DESCRIPTION for possible service replacement.

CHANGE PENDING



EXTERIOR COMPONENTS

H3 & H5
PC / Element®



P4310.25

CHANGE PENDING

EXTERIOR COMPONENTS DESCRIPTION

ITEM	PART NO.	QTY.	DESCRIPTION
9	12507.0001	1	Panel, Rear - Middle SST (All models except 120V H3)
	12507.1003	1	Panel, Rear - Middle Red
	12507.1004	1	Panel, Rear - Middle Copper
	12507.1005	1	Panel, Rear - Middle Black
	12507.1006	1	Panel, Rear - Middle White
	12507.0007	1	Panel, Rear - Middle SST (120V H3 Only)
	01311.0000	4	Screw, Truss Head #8 - 32 X .25" (One less used on early models)
10	23533.0001	1	Panel W/Decal, Rear - Upper SST (Includes items 11 & 14) (Also order item 12)
	12510.1001	1	Panel W/Decal, Rear - Upper Red (Includes items 11 & 14) (Also order item 12)
	12510.1002	1	Panel W/Decal, Rear - Upper Copper (Includes items 11 & 14) (Also order item 12)
	12510.1003	1	Panel W/Decal, Rear - Upper Black (Includes items 11 & 14) (Also order item 12)
	12510.1004	1	Panel W/Decal, Rear - Upper White (Includes items 11 & 14) (Also order item 12)
		1	Panel, Rear - Upper SST H3 Element [®] NOT AVAILABLE
	01311.0000	5	Screw, Truss Head #8 - 32 X .25"
01315.0000	1	Screw, Truss Head #8 - 32 X .38"	
11	00831.0000	1	Decal, Warning - Electrical
12	29710.0017	1	Decal, Optional Field Wiring 120V (PC)
	29710.0018	1	Decal, Optional Field Wiring Dual Volt (PC)
13	00917.0000	8	Clip, J-Type #8 - 32 (Early models)
14	37881.0000	3	Decal, No Serviceable Parts
15	47575.1000	1	Lamp Assy, Green 120V (Includes Terminal Housing) H5M
	47575.1001	1	Lamp Assy, Green 240V (Includes Terminal Housing) H5MA
	04243.0000	2	Terminal Housing
	20749.0000	1	Decal, Ready (H5M)
16	00603.0000	1	Clamp (Early models)
17		1	Bracket, Component Mounting (All Models) NOT AVAILABLE
18	21112.1000	1	Panel Assy W/LED Indicators & Decal (H5E/H5X [®])
19	21033.0000	1	Panel W/Decal (H5E/H5X)
	21033.0001	1	Panel W/Decal (H5M)
20	21031.0000	1	Decal, Decorative (H5E/H5X)
	21031.0001	1	Decal, (H5M)
21	12517.0001	4	Kit, LED Indicator (Includes one LED & item 15)(Not Illustrated) (H5E/X)
	25292.0000	1	Lockwasher M6
	34130.0000	1	Nut M6
	01570.0000	2	Wire Nut, 2-24 AWG Min.
22	25151.0000	1	Shield, Insulator
23	39168.0000	1	Membrane Switch (Portion Control)
24	44025.0003	1	Decal H5 Element (Shown)
	44025.0005	1	Decal H3 Element
	44025.8754	1	Decal H3XA Element (Taiwan Only)
25	44222.0000	1	Bushing (Element)
26	44024.1001	1	Kit, Face Plate (Includes Decal & Screws) (Element)
	49749.0000	1	Face Plate H3 Element (No decal)
	44224.0000	5	Screw

(Continued)

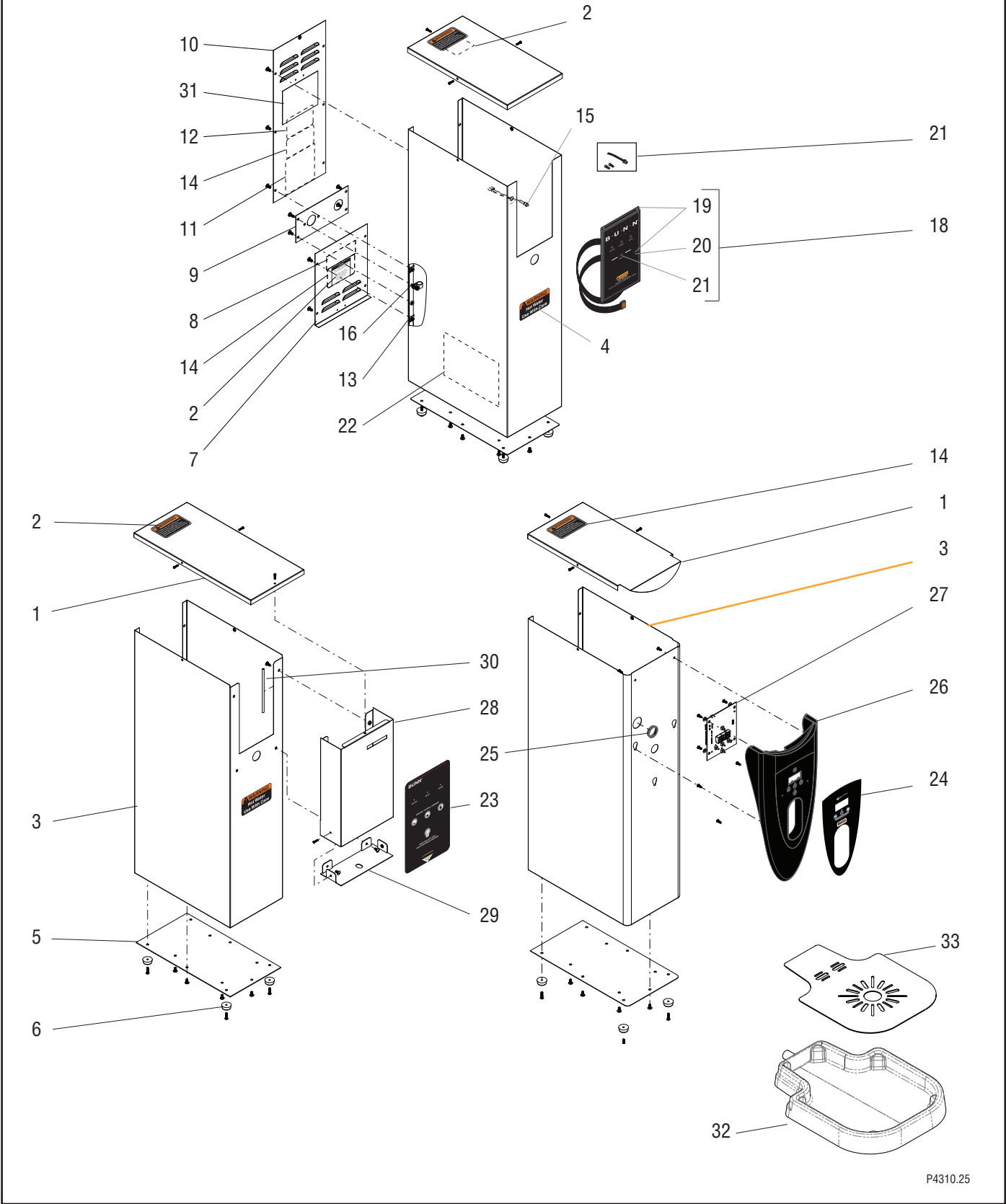
* Indicates the part number listed is for reference only. ⁷ See DESCRIPTION for possible service replacement.

CHANGE PENDING



EXTERIOR COMPONENTS

H3 & H5
PC / Element®



P4310.25

CHANGE PENDING

EXTERIOR COMPONENTS DESCRIPTION

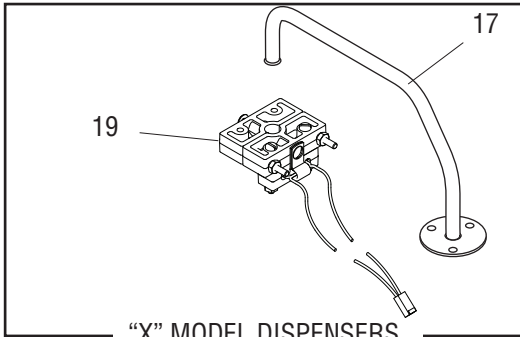
ITEM	PART NO.	QTY.	DESCRIPTION
27	REFER TO ELECTRICAL SECTION FOR DISPLAY CBA		
28	39148.0000	1	Shroud (PC)
	48890.0003	1	Shroud H3
	01303.0000	2	Screw, Pan Head #4 - 40 X .50"
	01315.0000	2	Screw, Truss Head #8 - 32 x .38"
	00970.0000	1	Nut, Keps #8 - 32
29	39146.0000	1	Bracket, Dispense Valve Support (PC)
		1	Bracket, Dispense Valve Support H3 Element® NOT AVAILABLE
	01315.0000	2	Screw, Truss Head #8 - 32 x .38"
30	38278.1002	-	Edging, Adhesive Lined 36.0" (Cut to fit, 5") (PC)
31	40708.0000	1	Schematic, Electrical 120V H5E (w/ Digital Control Board)
	40710.0000	1	Schematic, Electrical 208-240V H5E (w/ Digital Control Board)
	40709.0000	1	Schematic, Electrical 120V H5X (w/ Digital Control Board)
	40711.0000	1	Schematic, Electrical 208-240V H5X® (w/ Digital Control Board)
		1	Schematic, Electrical 240V (Dispensers W/Ready Light) NOT AVAILABLE
	40712.0000	1	Schematic, Electrical 230V H5EA, H5XA (w/ Digital Control Board)
	44657.0000	1	Schematic, Electrical 100V-240V H5 Element
	44657.0001	1	Schematic, Electrical 230V CE H5A Element
	44657.0002	1	Schematic, Electrical 230V CE H3A Element
	44657.0003	1	Schematic, Electrical 120V H3 Element
	44657.0004	1	Schematic, Electrical 120/208V H3X Element
	44657.0005	1	Schematic, Electrical 230V H3XA Element
	39333.0000	1	Schematic, Electrical DV PC
	39333.0001	1	Schematic, Electrical 230V CE PC
	39333.0002	1	Schematic, Electrical 200V PC
32	48885.0001	1	Drip Tray H3 Element
33	48885.0000	1	Cover, Drip Tray H3 Element



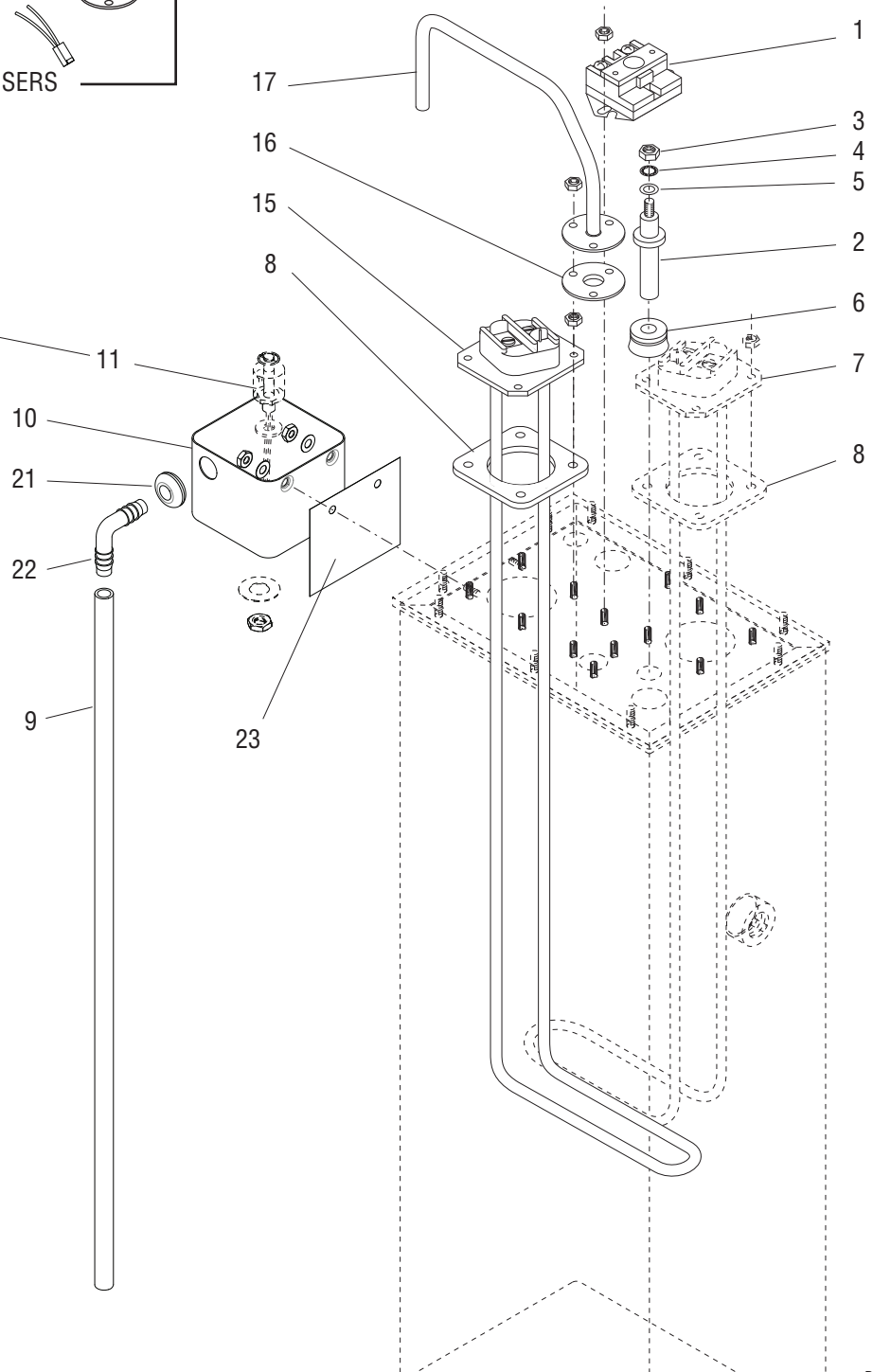
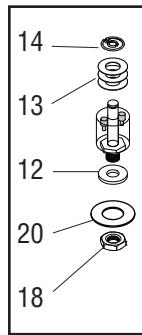
TANK HEATER & SAFETY DEVICES H5 ONLY

H3 & H5
PC/Element®

H5 ONLY



"X" MODEL DISPENSERS



P4312.75

TANK HEATER & SAFETY DEVICES H5 ONLY

ITEM	PART NO.	QTY.	DESCRIPTION
1	23717.0003	1	Thermostat, Limit
	00908.0000	2	Nut, Hex #8 - 32
2	02645.1000	1	Probe Kit, Water Level (Includes items 3, 4, & 5)
3	00908.0000	1	Nut, Hex #8 - 32
4	20203.0100	1	Lockwasher, Internal Tooth #8
5	01501.0000	1	Washer .164" I.D. x .375" O.D.
6	38114.0000	1	Grommet, Silicone W/Flange
7	12524.1000	1	Tank Heater Kit 1800W 120V (DUAL VOLT ONLY) Includes item 8
	00908.0000	4	Nut, Hex #8 - 32
8	12398.0000	2	Gasket, Tank Heater
		1	Tube, Silicone .312" I.D. x 21.5" (Not available, order # 24, cut as needed)
10	41259.1003	1	Overflow Cup Assy (Includes: Insulating film, grommet & elbow)
	00910.0000	2	Nut, #10 - 32
	01522.0000	2	Washer
11	03803.0002	1	Switch Assy, Liquid Level 120V (Includes items 12, 13 & 14) with Terminals
12	03633.0000	2	Gasket, Float Switch (Only 1 used in this application)
13		3	Washer, Adjusting (DO NOT USE IN THIS APPLICATION)
14	03807.0000	1	Clip, Spring
15	12524.1000	1	Tank Heater Kit 1800W 120V
	12322.1000	1	Tank Heater Kit 4000W 240V & 230V
	12305.1000	1	Tank Heater Kit 4000W 208V
	12453.1000	1	Tank Heater Kit 6000W 240V
	12452.1000	1	Tank Heater Kit 6000W 208V
	20922.1003	1	Tank Heater Kit 3700W 208V (Used in 200V Models)
	00908.0000	4	Nut, Hex #8 - 32
16	05515.0000	1	Gasket
17	12518.0000	1	Tube, Overflow
	12585.0000	1	Tube, Overflow ("X" Model Dispensers)
	00908.0000	3	Nut, Hex #8 - 32
18	00946.0000	1	Nut, Hex .125" FPT
19	12586.0000	1	Thermistor Assembly ("X" Model Dispensers only)
20	04797.0000	1	Washer
21	02536.0000	1	Grommet
22	41280.0001	1	Elbow
23	41266.0000	1	Film, Insulating

Heater kits
include item 8

The following items are not illustrated

24	03236.1001	-	Tube, Silicone 5/16 x 3'
	03236.1002	-	Tube, Silicone 5/16 x 10'
	03236.1003	-	Tube, Silicone 5/16 x 5'

* Indicates the part number listed is for reference only.

See DESCRIPTION for possible service replacement.

CHANGE PENDING

TANK, INLET & DISPENSE H5 ONLY			
ITEM	PART NO.	QTY.	DESCRIPTION
1	25922.0003	1	Lid, Tank (Single Heater)
	25922.0004	1	Lid, Tank (Dual Heater)
	00906.0000	10	Nut #6 - 32
2	12377.0000	1	Gasket, Tank lid
3	25920.1010	1	Tank - Flanged bottom
4	12514.0005	1	Bracket, Tank Mounting (5 gal. only)
	00971.0000	1	Nut, Keps #10 - 32
5	07061.0001	1	Faucet Shank Assy (Includes items 6 thru 9)
6	-----	1	Faucet Shank Body (Not available order item 5)
7	07119.0000	1	Faucet Shank Nut
8	01221.0000	1	Faucet Shank C-Ring
9	01268.0000	1	Faucet Union Nut
10	07094.0101	1	Faucet Assy Red Handle & Bnt Self/Lock AM (Includes items 11 thru 17)
11	-----	1	Faucet Body (Not available order item 10)
12	00600.0000	1	Faucet Seat Cup
13	35271.0001	1	Faucet Stem AM
14	00601.0000	1	Faucet Spring
15	07127.0103	1	Faucet Bonnet Nut, 1.375-18 AM
16	01219.0000	1	Faucet Handle Pin
17	07244.0100	1	Faucet Handle Red/Water AM
18	44223.1000	1	Kit, Tank Insulation
19	26846.0000	1	Valve Assembly, 120V (Discontinued, use 56771.0000)
	26846.0001	1	Valve Assembly, 200V (Discontinued, use 56771.0001)
	26846.0002	1	Valve Assembly, 240V (Discontinued, use 56771.0002)
	11517.0008	-	Repair Kit (Includes plunger, spring & diaphragm)
	23255.0000	-	Diaphragm Only
	23254.0000	4	Screw
	23256.0000	1	Spacer Plate
	56771.0000	1	Valve Assembly, Sprayhead 120V
	56771.0001	1	Valve Assembly, Sprayhead 200V
	56771.0002	1	Valve Assembly, Sprayhead 240V
	56815.0000	-	Repair Kit (Includes plunger, spring & diaphragm)
	56816.0000	-	Diaphragm Only
	22305.0001	1	Coil 120VAC (used in both styles)
	22305.0002	1	Coil 240VAC (used in both styles)

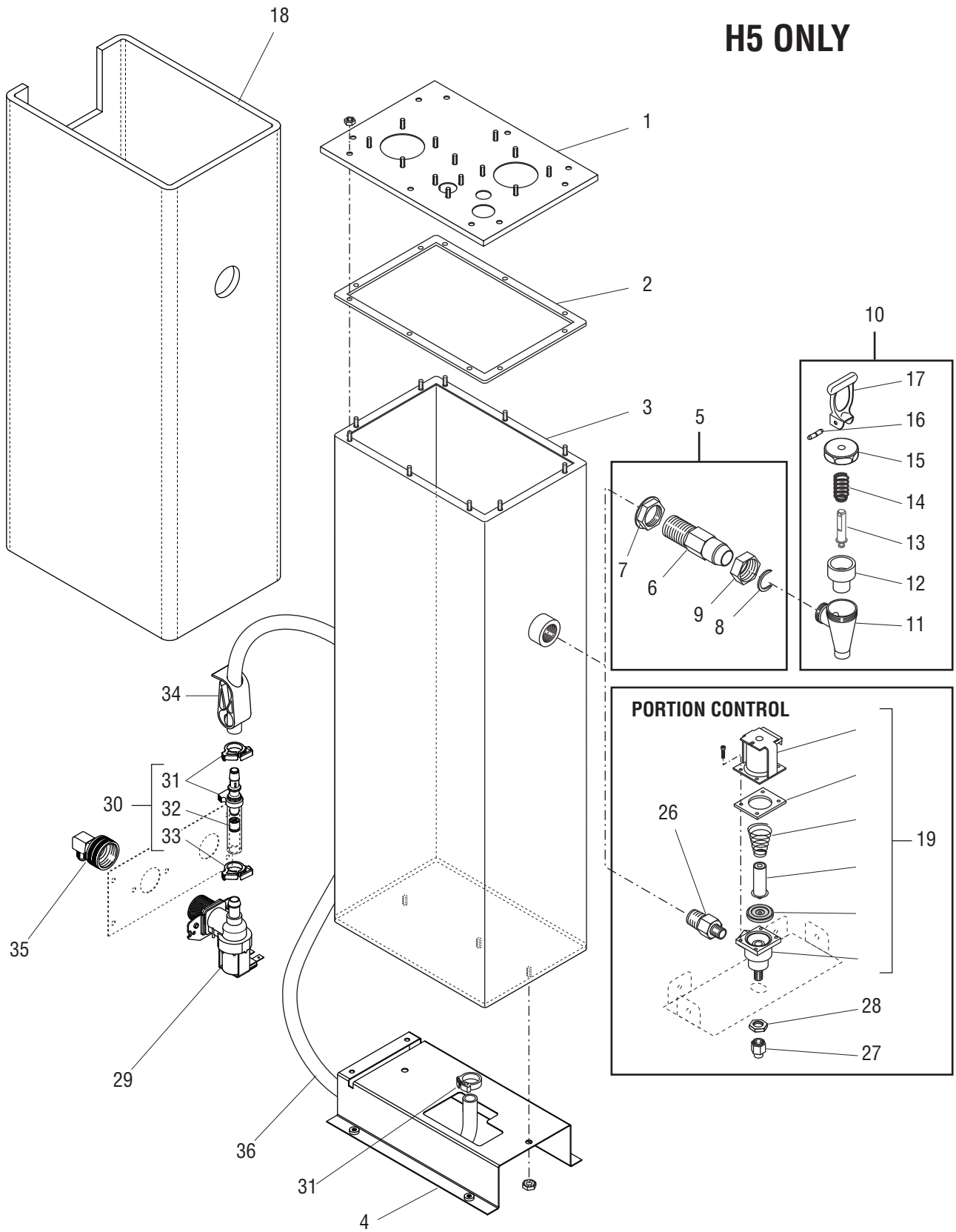
(Continued)



TANK, INLET & DISPENSE

H3 & H5
PC / Element®

H5 ONLY



TANK, INLET & DISPENSE DESCRIPTION

ITEM	PART NO.	QTY.	DESCRIPTION
20			
21			
22			
23			
24			
25			
26	39222.0000	1	Fitting, .5" NPTF x .25" NPTF
27	00924.0000	1	Nut, Flare Chrome Plated .25"
28	01075.0000	1	Nut, .438"-20
29	40506.0016	1	Valve Assy, Inlet 120V
	40506.0015	1	Valve Assy, Inlet 240V
	40506.0017	1	Valve Assy, Inlet 230V CE
	40506.0018	1	Valve Assy, Inlet 200V
	40506.0019	1	Valve Assy, Inlet 230V CE H3EA Element®
	40506.0021	1	Valve Assy, Inlet 120V H3E Element
	32283.0000	2	Screw, Pan Head M4 x 6mm
	46884.0000	1	Strainer
30	41716.1004	1	Tube Assembly w/Check Valve
31	12422.0001	3	Clamp, SNP-10
32	36378.0001	1	Check Valve
33	12422.0005	1	Clamp, SNP-12
34	11630.0001	1	Clamp, Shut Off
35	37297.0006	1	Elbow .25" Flare x .75" FTHD
36		1	Tube, Silicone .375" ID X 30" for 5 gallon (Not Available, Order # 39)
		1	Tube, Silicone .375" ID X 28" for 3 gallon (Not Available, Order # 39)

Inlet parts used
in all models

The following items are not illustrated

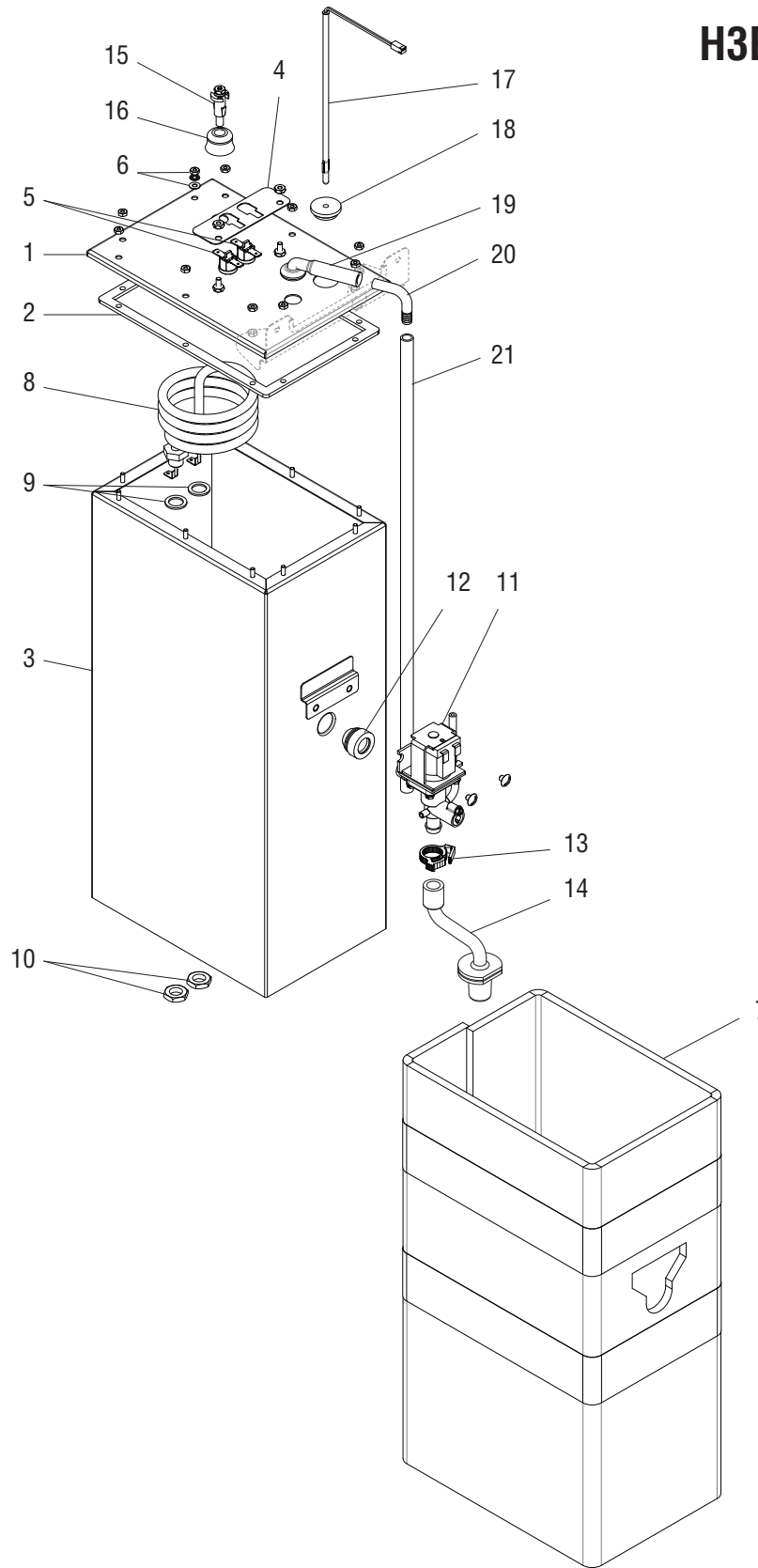
37	28710.0000	-	Faucet Repair Kit (Includes items 12,13,14 & 17)
38	11517.0008	-	Repair Kit, Dispense Valve (Includes one each of spring, plunger and diaphragm)
39	20976.1001	-	Tube, .375" ID x 3' (Use as required)
	20976.1002	-	Tube, .375" ID x 10' (Use as required)
	20976.1004	-	Tube, .375" ID x 250' (Use as required)



TANK, INLET & DISPENSE H3E ONLY

H3 & H5
PC / Element®

H3E ONLY



TANK, INLET & DISPENSE H3E ONLY			
ITEM	PART NO.	QTY.	DESCRIPTION
1	48883.0001	1	Lid, Tank
2	12377.0000	1	Gasket, Tank lid
3	49639.0000	1	Tank
4	46043.0000	1	Bracket, Dual Thermostat
	00908.0000	4	Nut, Hex #8 - 32
5	50291.0000	2	Thermostat, Limit Manual Reset (H3EA Only) Shown
	29329.1001	2	Thermostat, Limit Auto Reset H3E
6	00906.0000	10	Nut #6 - 32
	20203.0100	1	Lock Washer
	01501.0000	1	Flat Washer
7	44223.0001	1	Insulation, Tank
8	02755.1003	1	Heater 1680W 120V (Includes gaskets)
	29669.1000	1	Heater 3000W 240V (Includes gaskets)
9	00943.0000	2	Gasket, Heater
10	00942.0000	2	Nut, Heater
11	39285.1001	1	Dispense Valve 120V
	34202.0004	1	Dispense Valve 230V
	01326.0000	2	Screws, TRH SLTD SST 10-32 x 1/4"
12	37970.0000	1	Grommet
13	12422.0009	1	Clamp, SNP-14
14	50094.0004	1	Tube, Dispense
15	07412.1003	1	Level Probe
16	38114.0000	1	Grommet
17	12568.0007	1	Temp Probe
18	12570.0000	1	Grommet
9	38969.0003	1	Fitting, 90°
20	34282.0000	1	Elbow, SST
21		1	Tube, Silicone 5/16 x 15.0" (Not available, order # 22, cut as needed)

The following items are not illustrated

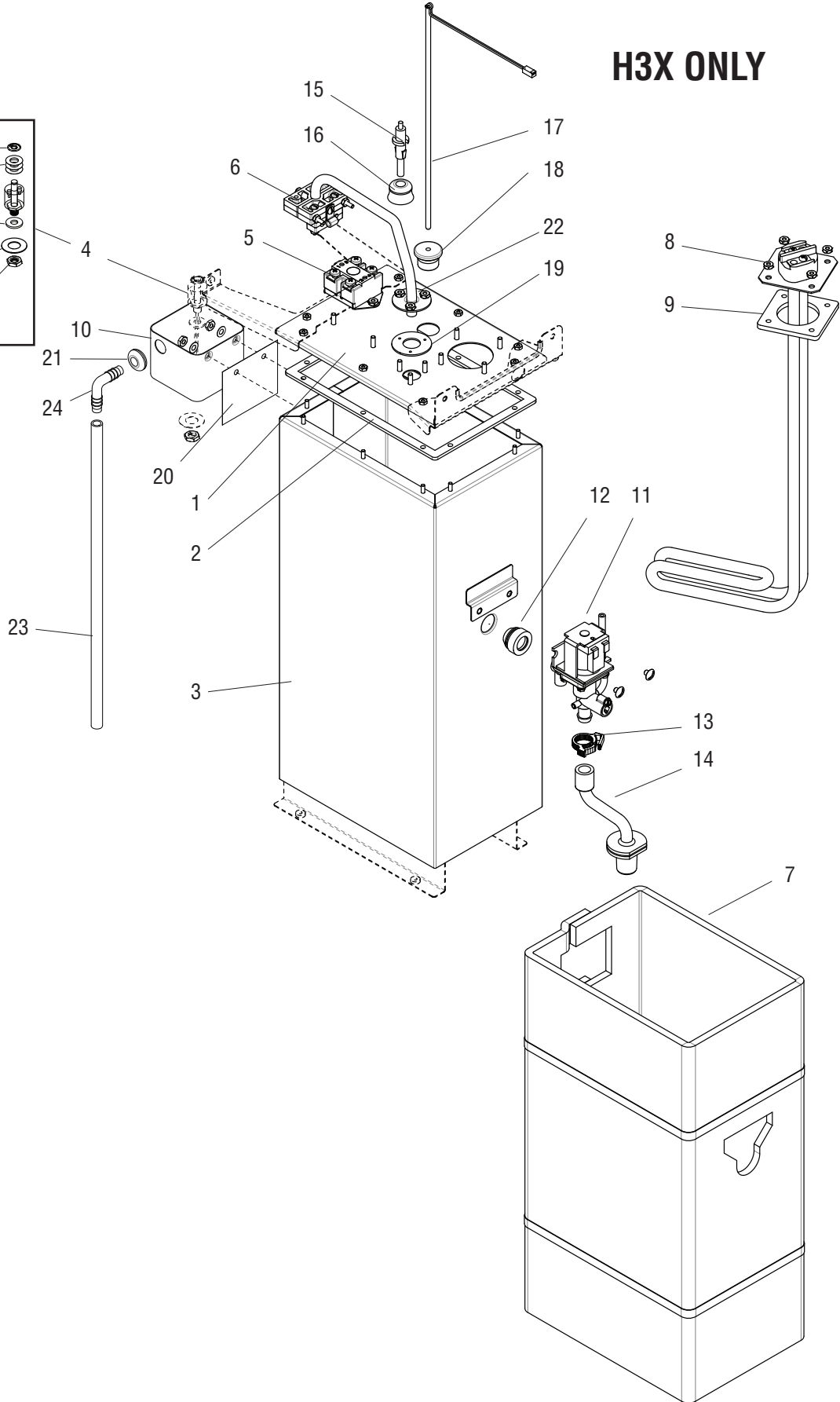
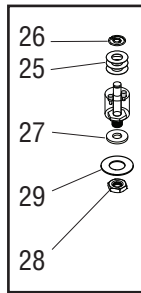
22	03236.1001	-	Tube, Silicone 5/16 x 3'
	03236.1002	-	Tube, Silicone 5/16 x 10'
	03236.1003	-	Tube, Silicone 5/16 x 5'



TANK, INLET & DISPENSE H3X ONLY

H3 & H5
PC / Element®

H3X ONLY



TANK, INLET & DISPENSE H3X ONLY			
ITEM	PART NO.	QTY.	DESCRIPTION
1	25922.0006	1	Lid, Tank
2	12377.0000	1	Gasket, Tank lid
3	52605.0000	1	Tank
4	21114.0001	1	Switch, Float
5	23717.0003	2	Thermostat, Limit Manual Reset (H3X Only)
6	12586.0002	1	Bracket/Thermistor Assembly ("X" Model Dispensers only)
7	44223.0002	1	Insulation, Tank
8	27349.1007	1	Heater 3000W 240V (Includes gasket)
	27349.1008	1	Heater 1800W 120V (Includes gasket)
	27349.1009	1	Heater 3200W 208V (Includes gasket)
	27349.1010	1	Heater 1340W 120V (Includes gasket)
	00908.0000	4	Nut, SST 8-32
9	12398.0000	2	Gasket, Heater
10	41259.1003	1	Overflow Cup Assy (Includes: Insulating film, grommet & elbow)
	00910.0000	2	Nut, #10 - 32
	01522.0000	2	Washer
11	39285.1001	1	Dispense Valve 120V
	34202.0004	1	Dispense Valve 230V
	01326.0000	2	Screws, TRH SLTD SST 10-32 x 1/4"
12	37970.0000	1	Grommet
13	12422.0009	1	Clamp, SNP-14
14	50094.0004	1	Tube, Dispense
15	20936.1000	1	Level Probe
16	38114.0000	1	Grommet
17	12568.0012	1	Temp Probe
18	33801.0003	1	Grommet
19	05515.0000	1	Gasket
20	41266.0000	1	Film, Insulating
21	02536.0000	1	Grommet
22	12585.0001	1	Tube Assembly, Overflow (H3X Only)
23		1	Tube, Silicone 5/16 x 15" (Not available, order # 24, cut as needed)

(Continued)

* Indicates the part number listed is for reference only. ¹⁹ See DESCRIPTION for possible service replacement.

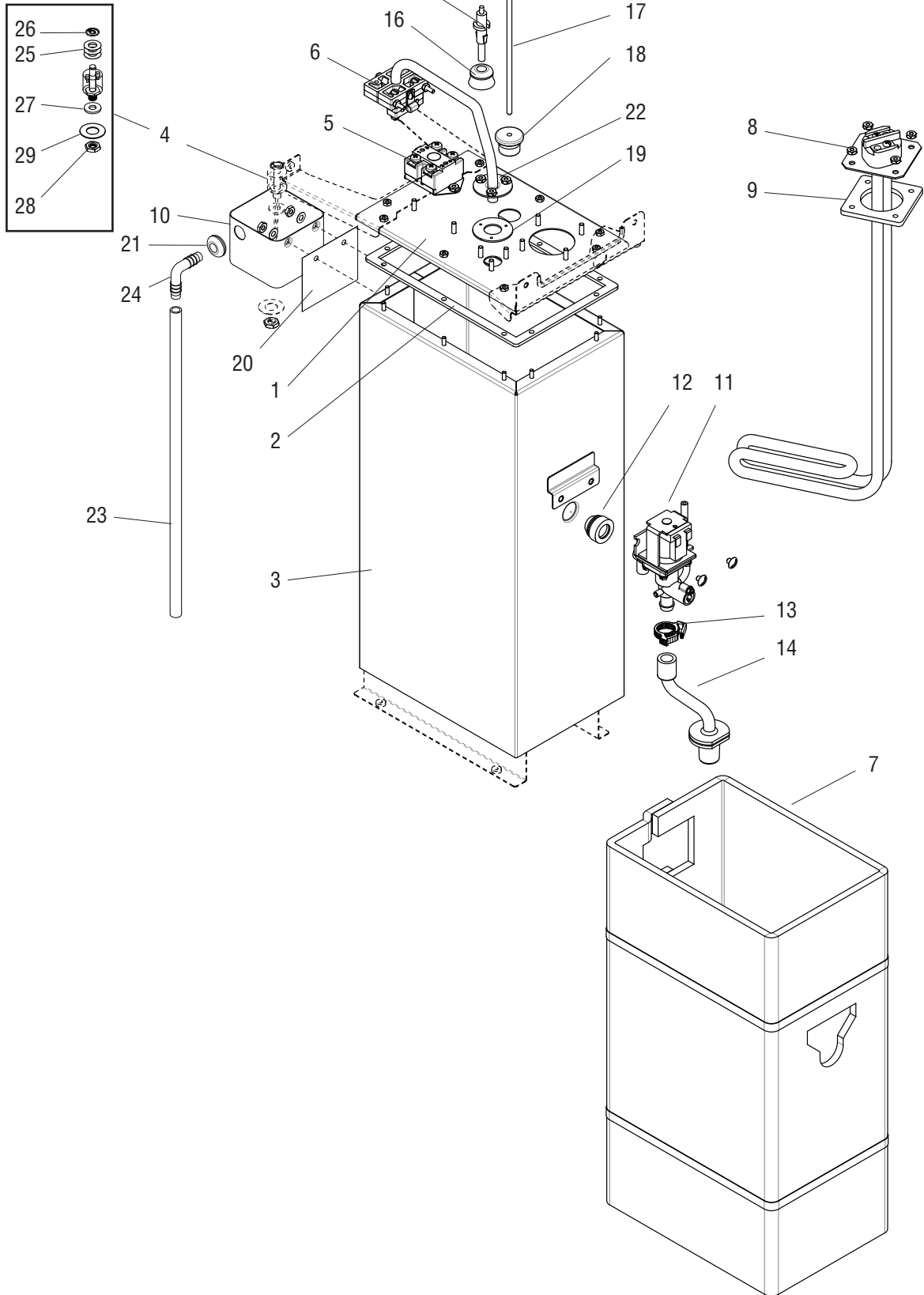
CHANGE PENDING



TANK, INLET & DISPENSE H3X ONLY

H3 & H5
PC / Element®

H3X ONLY



TANK, INLET & DISPENSE H3X ONLY			
ITEM	PART NO.	QTY.	DESCRIPTION
24	41280.0001	1	Elbow
25		3	Washer, Adjusting (DO NOT USE IN THIS APPLICATION)
26	03807.0000	1	Clip, Spring
27	03633.0000	2	Gasket, Float Switch (Only 1 used in this application)
28	00946.0000	1	Nut, Hex .125" FPT
29	04797.0000	1	Washer

The following items are not illustrated

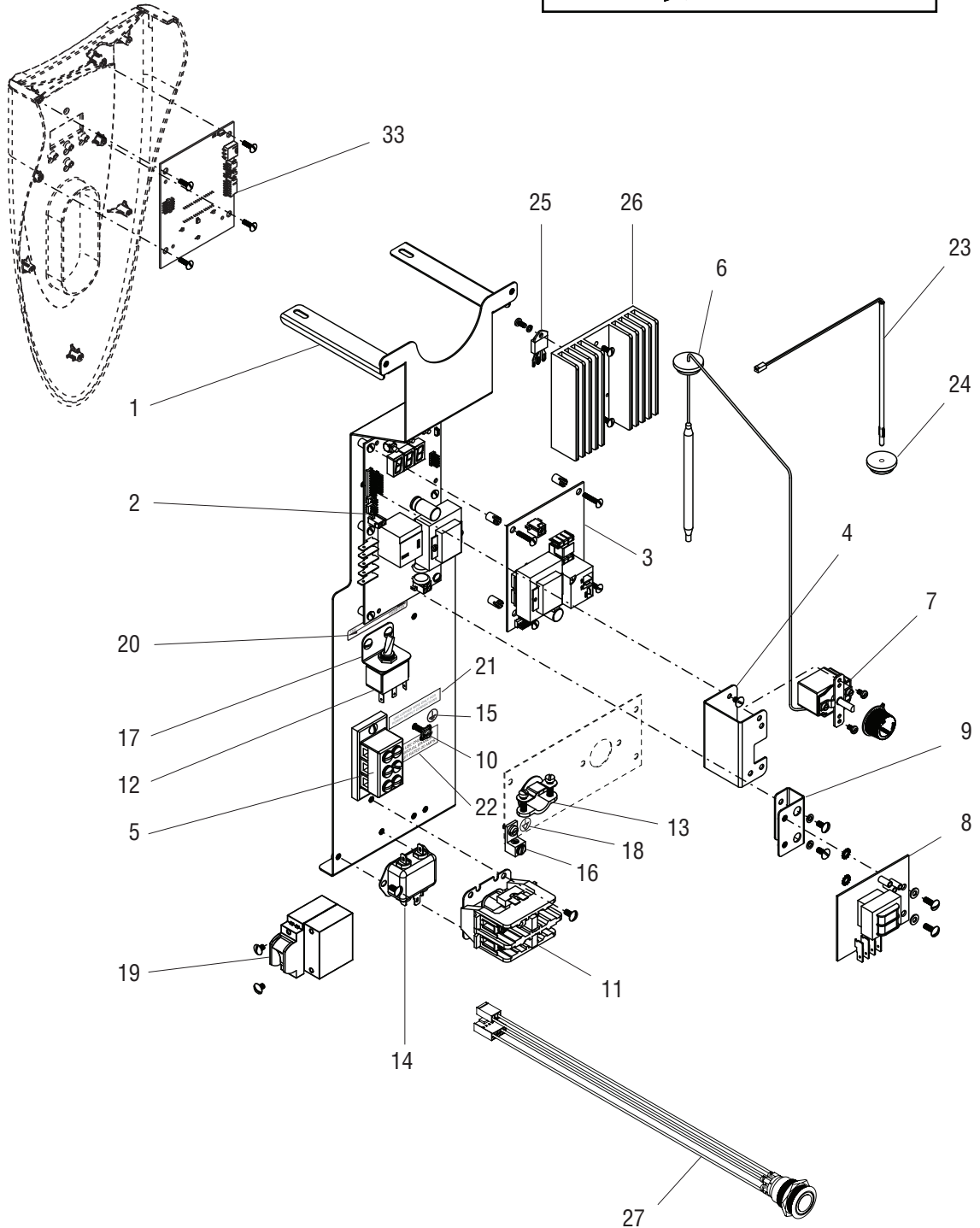
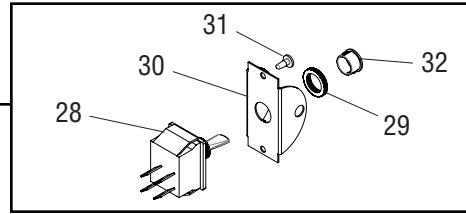
30	03236.1001	-	Tube, Silicone 5/16 x 3'
	03236.1002	-	Tube, Silicone 5/16 x 10'
	03236.1003	-	Tube, Silicone 5/16 x 5'



ELECTRICAL COMPONENTS

H3 & H5
PC / Element®

H3 ELEMENT ONLY



ELECTRICAL COMPONENTS

ITEM	PART NO.	QTY.	DESCRIPTION
1		1	Bracket, Component Mounting (All H5) NOT AVAILABLE
		1	Bracket, Component Mounting (H3 Element [®]) NOT AVAILABLE
2	40697.1000	1	Control Board, Digital 120V - 240V (H5X [®] /E/PC)
	50652.1000	1	Control Board, Digital 230V CE (H5X/E/PC)
	41185.0000	1	Kit, Retrofit CBA, Digital 120V - 240V (H5X/E/PC)
	41185.0001	1	Kit, Retrofit CBA, Digital 230V CE (H5X/E/PC)
	01388.0000	6	Screw, Pan Head #8 - 32 x .25"
	29081.0000	6	Spacer
3	50550.1000	1	Kit, CBA Main 220-240V CE H3EA/H5EA/H5XEA Element Series
	43958.1000	1	Kit, CBA Main H3E/H5E/H5XE 120V-240V Element Series
	01388.0000	4	Screw, Pan Head #8 - 32 x .25"
	29081.0000	4	Spacer
4	28195.0001	1	Bracket, Thermostat Mounting (H5M Only)
	01311.0000	2	Screw, Truss Head #8-32 x .25"
5	01106.0000	1	Terminal Block, 2 Pole (White/Black) 100V-120V
	01106.0001	1	Terminal Block, 2 Pole (Red/Black) 208V-240V
	01106.0003	1	Terminal Block, 2 Pole (Blue/Brown) 230V CE
	07038.0000	1	Terminal Block, 3 Pole (Red/White/Black) DV
	01317.0000	2	Screw, Truss Head #8 - 32 x .50"
6	07073.1000	1	Kit, Grommet
7	03024.0005	1	Kit, Thermostat 120V-240V (H5M Only)
	01310.0000	2	Screw, Pan Head #6 - 32 x .25" (Mounting)
	01520.0000	2	Lockwasher, Split #6
	20762.0000	2	Screw, Binding Head #8-32 x .25" (Terminal)
	00720.0000	1	Knob, Thermostat
8	07074.1030	1	Control Board, Liquid Level 120V
	07074.1029	1	Control Board, Liquid Level 208-240V
	01311.0000	2	Screw, Truss Head #8 - 32 x .25"
	00970.0000	2	Nut, Keps #8 - 32
9	46360.0000	1	Bracket, Control Board Mounting
	01315.0000	2	Screw, Truss Head #8 - 32 X .375"
	01519.0000	2	Lockwashers
10	37804.0000	1	Ground Screw W/Terminal Washer #8 - 32 x .50"
11	06335.1000	1	Contactory Assy, 120V Coil
	06335.1002	1	Contactory Assy, 240V Coil
	27906.1000	1	Contactory Assy, 230V Coil
	01315.0000	2	Screw, Truss Head #8 - 32 X .375"
12	23522.1001	1	Switch, DV (Includes Mounting Nut)
	23696.0000	1	Nut, Mounting
13	32833.1000	1	Strain Relief (CE Models Only)
	01531.0000	1	Washer, Reducing
	01590.0000	1	Cable Connector (Except CE)
	48041.0000	1	Strain Relief (120V H3 Models Only)

(Continued)

* Indicates the part number listed is for reference only. ²³ See DESCRIPTION for possible service replacement.

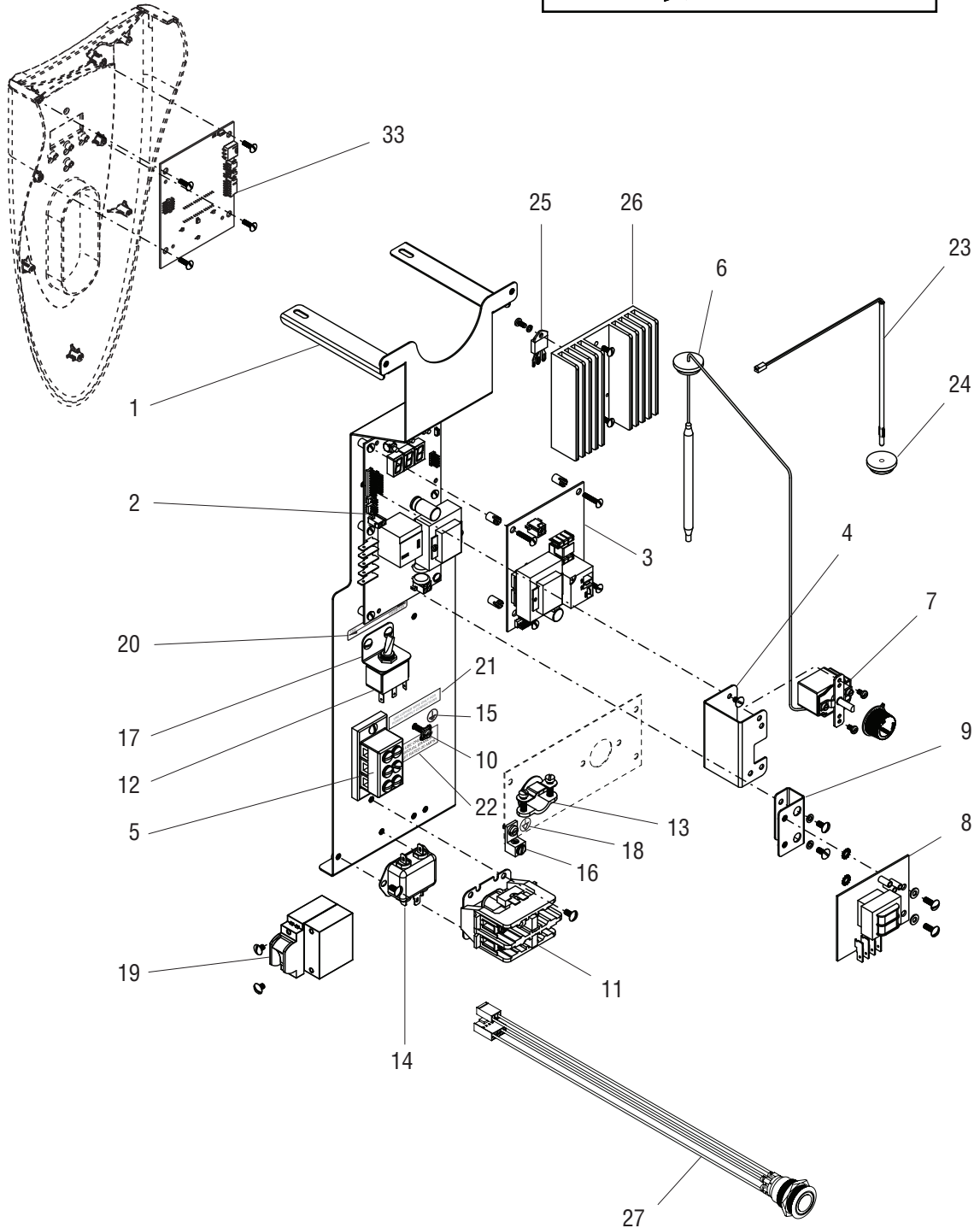
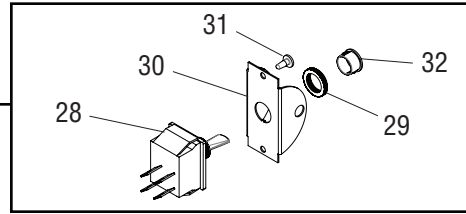
CHANGE PENDING



ELECTRICAL COMPONENTS

H3 & H5
PC / Element®

H3 ELEMENT ONLY



ELECTRICAL COMPONENTS

ITEM	PART NO.	QTY.	DESCRIPTION
14	29446.0000	1	EMI Filter H5EA/XA
	29446.0004	1	EMI Filter H3EA/XA
	01315.0000	2	Screw, Truss Head #8 - 32 X .375"
	34808.0002	1	Capacitor, (Quick Connect Style)
15	00824.0002	1	Decal, Ground
16	27705.0000	1	Terminal Lug
	01512.0000	1	Lockwasher, Ext. tooth #10
17	46130.0000	1	Bracket, Switch
18	00824.0001	1	Decal, Equipotentiality
19	38894.0001	1	Switch, Master ON/OFF H5
	01308.0002	2	Screw, Truss Head, Locking #6-32 x .25" (Mounting)
20	34056.0000	1	Decal, DV Switch
21	00870.0000	1	Decal, Use Copper Wire Only
22	00985.0000	1	Decal, Individual Circuit Info
23	12568.0007	1	Sensor, Temperature (All models except H5M)
24	12570.0000	1	Grommet, Thermostat (All models except H5M)
25	12565.0041	1	Triac, 230V (H3EA Element)
	12565.0042	1	Triac, 120V (H3E Element)
	12565.0043	1	Triac, 120V (H3X Element)
	12565.0044	1	Triac, 230V (H3XA Element)
	02328.0003	1	Screw, 6-32 x .312"
	01520.0000	1	Lockwasher
	M2522.1000	-	Heat Sink Compound, 5oz Tube
26	20541.0001	1	Heat Sink
	01382.0007	2	Screws, 6-32 x .375"
27	50305.0002	1	Wiring Harness, Dispense Button w/switch (H3X Element)
	50305.0003	1	Wiring Harness, Dispense Button w/switch (H3E Element)
28	28004.0000	1	Switch, Master ON/OFF H3EA Element
	40763.0003	1	Switch, Toggle ON/OFF (H3XA Element)
29	23697.0000	1	Face Nut, H3EA Element
30	25102.0001	1	Bracket, Switch H3EA Element
31	28098.0000	1	Fastener, H3EA/H3E Element
32	00669.0003	1	Hole Plug, H3E Element
33	43957.1000	1	Kit, CBA, Display 120-240V (H5 Element)
	43957.1002	1	Kit, CBA, Display 230V CE (H3A Element)
	43957.1003	1	Kit, CBA, Display 120V (H3E Element)
	43957.1004	1	Kit, CBA, Display 120V (H3X Element)
	44224.0000	4	Screw
	27088.0000	4	Washer, Nylon 6-32x.3750Dx.025

(Continued)

* Indicates the part number listed is for reference only. ²⁵ See DESCRIPTION for possible service replacement.

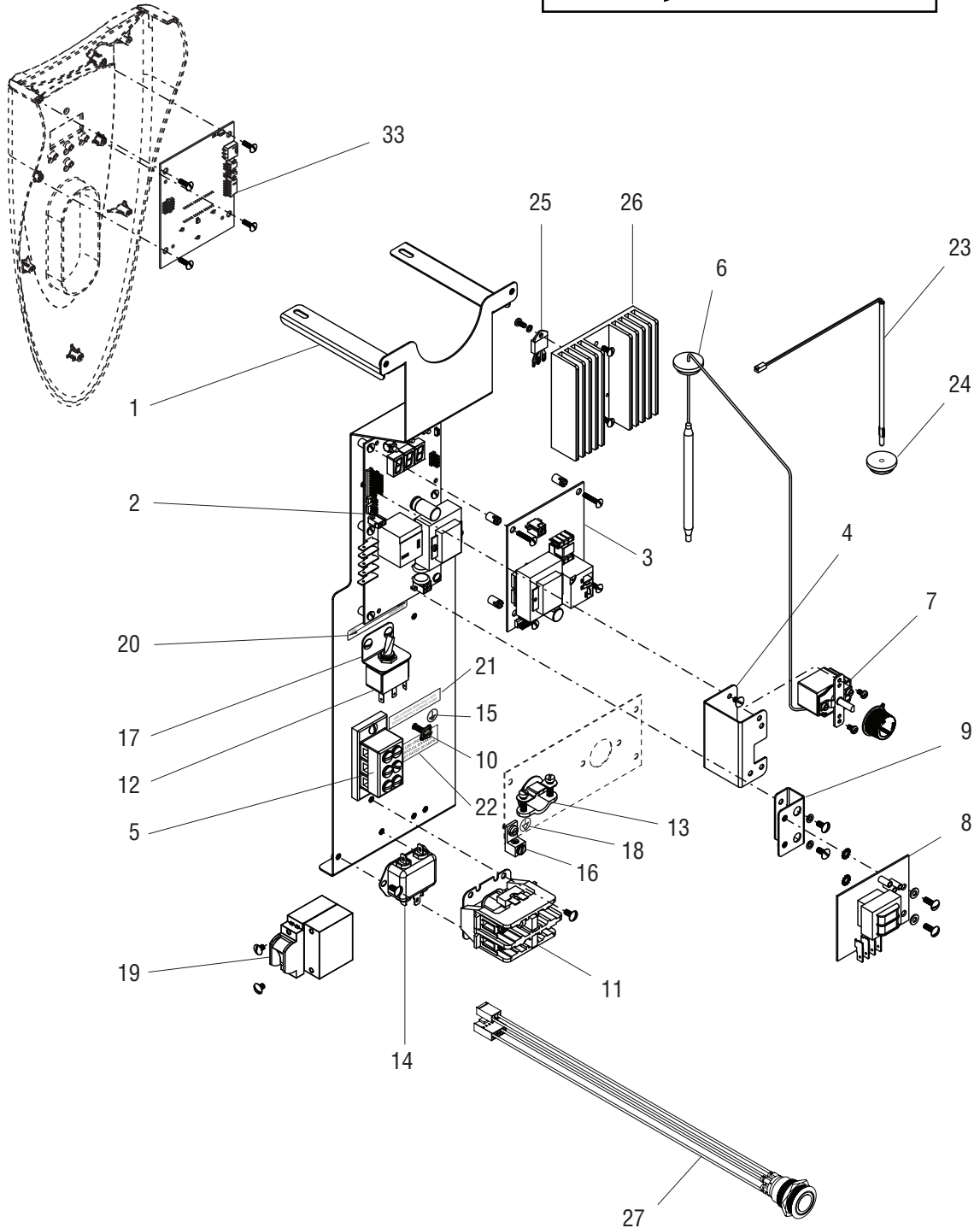
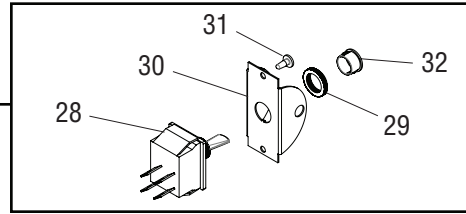
CHANGE PENDING



ELECTRICAL COMPONENTS

H3 & H5
PC / Element®

H3 ELEMENT ONLY



CHANGE PENDING

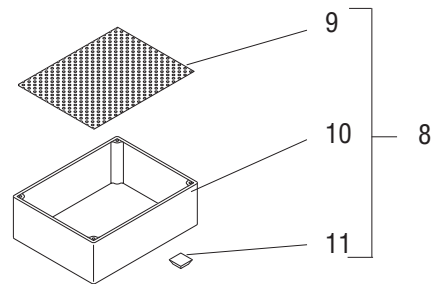
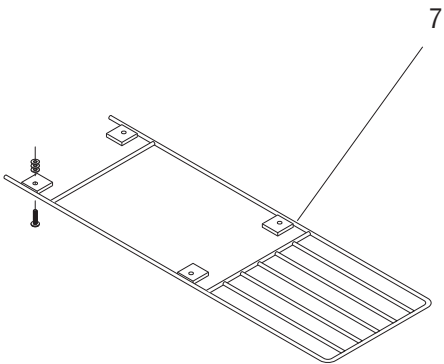
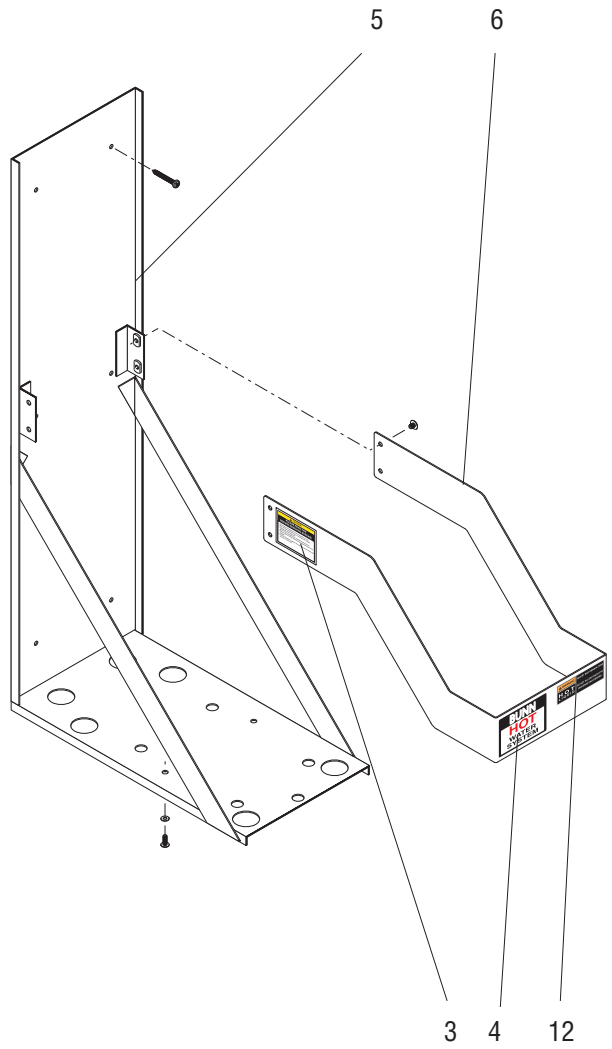
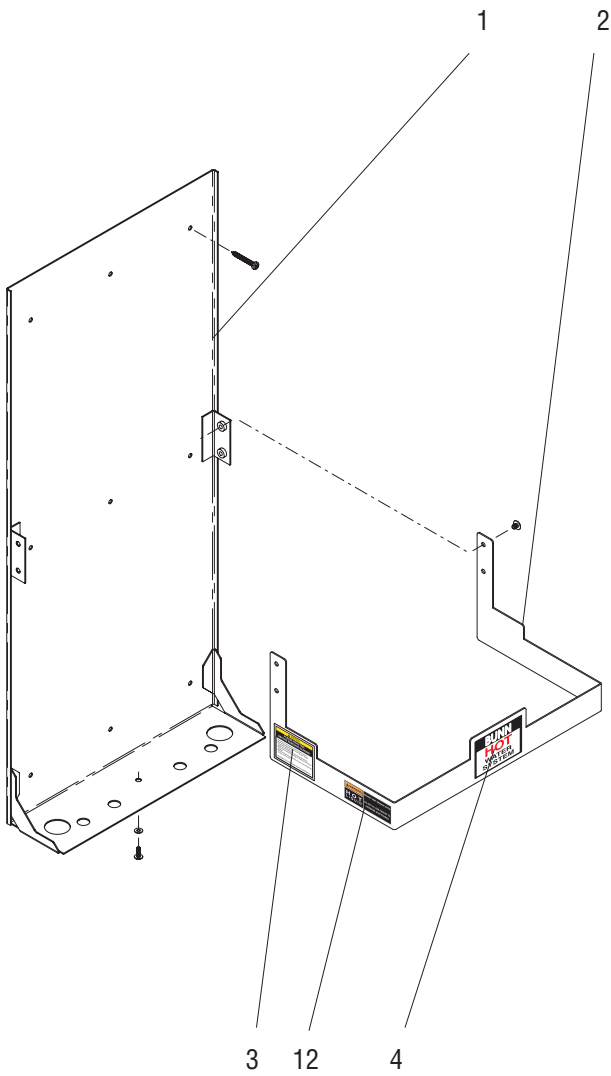
ELECTRICAL COMPONENTS

ITEM	PART NO.	QTY.	DESCRIPTION
The following items are not illustrated			
34	12522.0004	1	Wiring Harness, Main 120V (H5M)
	12529.0007	1	Wiring Harness, Main 240V (H5M)
	12529.0008	1	Wiring Harness, Main 230V CE (H5MA)
	12575.0004	1	Wiring Harness, 120V (H5E/H5X [®])
	12576.0013	1	Wiring Harness, 208-240V (H5E/X)
	12576.0002	1	Wiring Harness, 230V (H5E/X)
	12576.0006	1	Wiring Harness, Main 230V CE (PC)
	12576.0012	1	Wiring Harness, Main DV (PC)
	12576.0015	1	Wiring Harness, Main 200V (PC)
	12576.0008	1	Wiring Harness, Main 120V, 208V-240V (H5 Element [®])
	12576.0009	1	Wiring Harness, Main 230V CE (H5 Element)
	12576.0016	1	Wiring Harness, Main 230V CE (H3EA Element)
	12576.0018	1	Wiring Harness, Main 120V (H3E Element)
	12576.0020	1	Wiring Harness, Main 120V (H3X Element)
	12576.0021	1	Wiring Harness, Main 120V (H3XA Element)
35	21014.0034	1	Lead Assy, 14AWG Blk 7.0" Tank Heater to Limit (120/240V)
	27945.0000	1	Lead, Thermal Cut-off, Blk 8.5" (230V)
36	38920.0000	1	Wiring Harness, Master Switch to Term Block (Black-Red)
	38920.0004	1	Wiring Harness, Master Switch to Term Block (Black-White)
	38920.0011	1	Wiring Harness, Master Switch to Term Block (Blue-Brown)
	38920.0013	1	Wiring Harness, Master Switch to Term Block (Blue-Brown) H3X
	38920.0014	1	Wiring Harness, Master Switch to Term Block (Blue-Brown) H3XA
37	23799.0001	1	Power Cord (120V) (Models w/Factory Installed 15A Cord Only)
	01638.0000	1	Cord, Power 12/3 SJO-NEMA 5-20P (Models w/Factory Installed 20A Cord Only)
	28111.0006	1	Cord, Power 230V H3EA Element CE
	42749.0031	1	Cord, Power 230V H3EA Element Inmetro
	20630.0005	1	Cord, Power 120V H3E Element
38	39357.0000	1	Wiring Harness, Membrane Switch to Control Board (PC)
39	44821.0000	1	Wiring Harness, LL Probe/Gnd to CBA (H5 Element)
	44821.0001	1	Wiring Harness, LL Probe/Gnd to CBA (H3 Element)
40	44033.0000	1	Wiring Harness, Display CBA to Main CBA (H5 Element)
	44033.0001	1	Wiring Harness, Display CBA to Main CBA (H3 Element)
41	45288.0000	1	Wiring Harness, EMI to Main Switch
	45288.0001	1	Wiring Harness, EMI to Main Switch H3XA
42	40717.0000	1	Lead, Contactor to Heater (Blue) (H5M)
43	40719.0000	1	Lead, Switch to Contactor (White/Violet) (H5M)
44	42095.0000	1	Wiring Harness, Contactor to Limit (H5M)
45	42096.0000	1	Wiring Harness, Limit to Heater (H5M)
46	38920.0012	1	Wiring Harness, Main Switch to Term Block (H3A Element Only)
47	50286.0000	1	Wiring Harness, Relay to Triac (H3 Element)



WALL BRACKETS, DRIP TRAY & WIRE SHELF

H3 & H5
PC / Element®



P538.37

WALL BRACKETS, DRIP TRAY & WIRE SHELF

ITEM	PART NO.	QTY.	DESCRIPTION
1		1	Wall Bracket, Side Mounting (See Sales Manual for Wall Bracket Kit)
	02334.0000	6	Screw, Pan Head Phillips #10 x 1.50"
	01501.0000	1	Washer .164" I.D. x .375" O.D.
	01317.0000	1	Screw, Truss-hd #8-32 x .50"
2	12549.1001	1	Support Strap W/Decals (Includes items 3, 4 & 12)
	01326.0000	4	Screw, Truss Head #10 - 32 x .25"
3	12556.0000	2	Decal, Caution Dispenser Removal
4	00657.0002	1	Decal, Bunn Hot Water
5		1	Wall Bracket, Front Mounting (See Sales Manual for Wall Bracket Kit)
	02334.0000	6	Screw, Pan Head Phillips #10 x 1.50"
	01501.0000	2	Washer .164" I.D. x .375" O.D.
	01317.0000	2	Screw, Truss-hd #8-32 x .50"
6	13127.1001	1	Support Strap W/Decals (Includes items 3, 4 & 12)
	01326.0000	4	Screw, Truss Head #10 - 32 x .25"
7	12599.0000	1	Wire Shelf Kit (Includes mounting hardware)
	01503.0000	12	Washer, Flat .25" I.D. x .56" O.D. (Use as required)
	01370.0000	4	Screw, Pan Head #8 - 32 x .75"
8	02497.0000	1	Drip Tray Assy (Includes items 9 thru 11)
9	02546.0000	1	Cover, Drip Tray
10	02545.0000	1	Drip Tray
11	02547.0000	4	Foot, Rubber
12	12538.0000	1	Decal, Caution - Hot Liquid



CHANGE PENDING